

# DATA INPUT FOR INTERNATIONAL "A" CLASS BOAT MEASUREMENT

Boat registered number \_\_\_\_\_

Boat name \_\_\_\_\_

Owner's name \_\_\_\_\_

Builder's name(s) \_\_\_\_\_

Designer's name \_\_\_\_\_

Date of this fundamental measurement \_\_\_\_\_

Date of first fundamental measurement \_\_\_\_\_

*Required*

*Required*

*Required*

*Required*

*Required*

*Required*

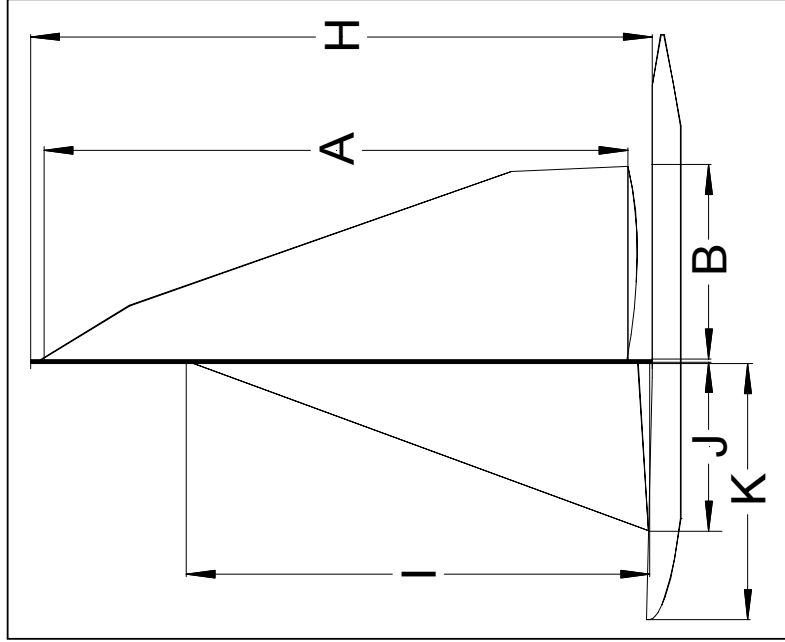
*Required*

*Required*

<b>Hull</b>		
Weight of boat, kg		<i>Required for RATING</i>
LOA, overall length, mm		
FOH, forward overhang, mm		
AOH, aft overhang, mm		
LWL, waterline length, mm		
Quarter beam length - port, mm		<i>Required for RATING</i>
Quarter beam length - starboard, mm		<i>Required for RATING</i>
Draught, mm		<i>Required for RATING</i>
Freeboards, mm	Port      Starboard	
	Fore	
	Mid	
	Aft	
<b>Sail Plan</b>		
H, Height of rig, mm (max. 2167)		<i>Required</i>
A, Mainsail luff, mm		<i>Required for RATING</i>
B, Luff perpendicular, mm		<i>Required for RATING</i>
I, Foretriangle height, mm (Max. 1625)		<i>Required for RATING</i>
J, Foretriangle base, mm		<i>Required for RATING</i>
K, Bow to mast, mm		<i>Required</i>
<b>Derived Measurements</b>		
Maximum mainsail 1/4 width, mm		
Maximum mainsail 1/2 width, mm		
Maximum mainsail 3/4 width, mm		
Maximum jib cross width		
Maximum foot length for other headsails		
Maximum value of spinnaker foot and widths		
Minimum value of spinnaker 1/2 width		

*Insert 0 if no HEADSAIL*

*Insert 0 if no HEADSAIL*



*Calculated Values as Advice to Measurer*

**NOTE: THIS FORM IS NEITHER PART OF THE CERTIFICATE NOR THE MEASUREMENT FORM**